

IN THE TUBE 360° (uS)

de Dominique Perrault
& Gaëlle Lauriot-Prévost

INSTRUCTION & USE SHEET

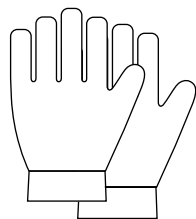
IN THE BOX



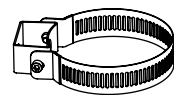
×2



×2



×2



×2

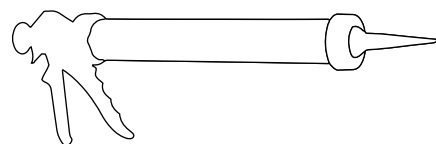
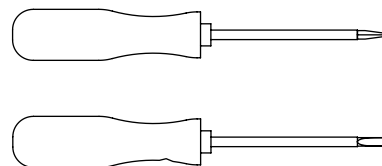
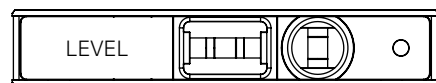


×1

REQUIRED TOOLS



Ø8



WARNING

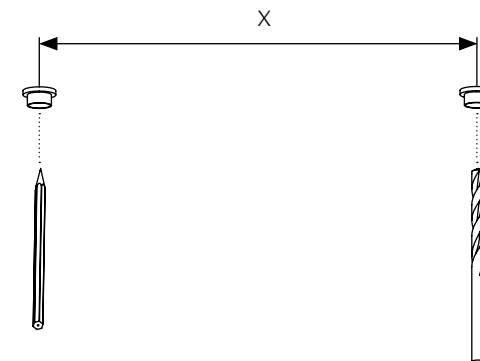
The safety of this fixture is only guaranteed if the instructions have been observed. — Always disconnect power before working on fixture. — Fixture must not be installed in any position other than that shown in instructions. — Assembly and maintenance of fixture must be performed carefully so as not to damage components. — Replacement bulbs must be of same type and wattage as specified in instructions. — Metal surfaces, glass or other parts of fixture may be cleaned with a soft damp cloth and mild detergent. — DCW ÉDITIONS will replace merchandise with manufacturing defects only if it is returned to the retailer from which it was purchased. — If you are unsure about your wiring, please consult a qualified electrician. The damaged cables should be changed by manufacturer or distributor or qualified electrician.

AS A CEILING LAMP

STEP 1 **Make holes according to the measurement between the two holes**

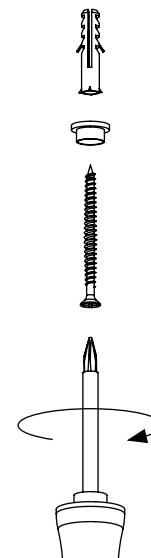
IN THE TUBE 360°

ITT 360-400	X = 37 CM
ITT 360-700	X = 67 CM
ITT 360-1000	X = 97 CM
ITT 360-1600	X = 157 CM



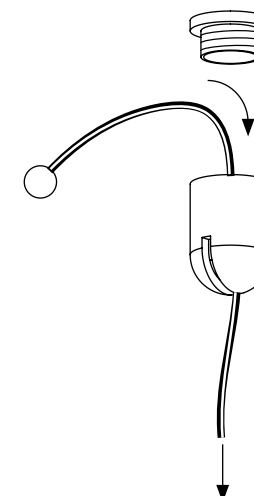
STEP 2

Fix the ceiling mounts



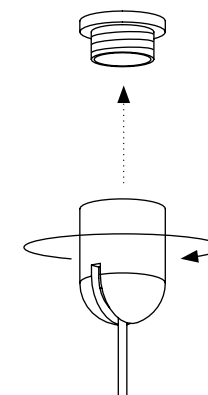
STEP 3

Place the steel cable into the retaining piece



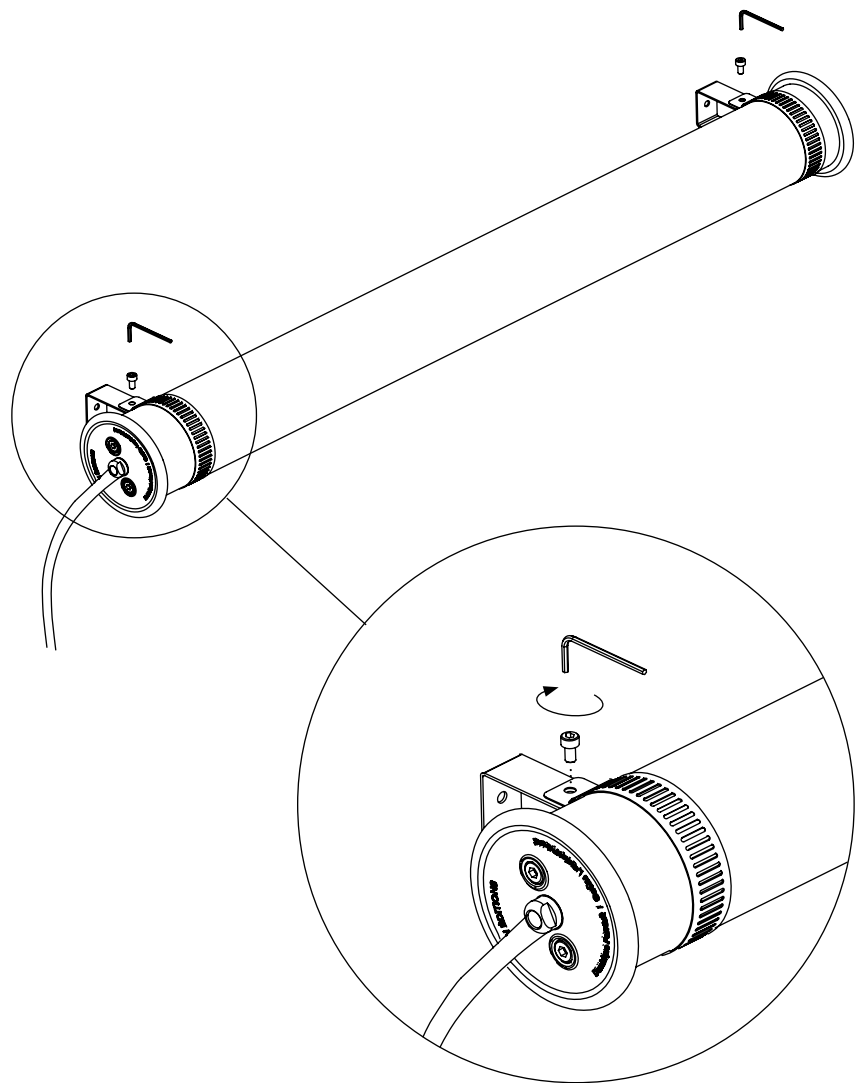
STEP 4

Screw the retaining piece on the ceiling mount



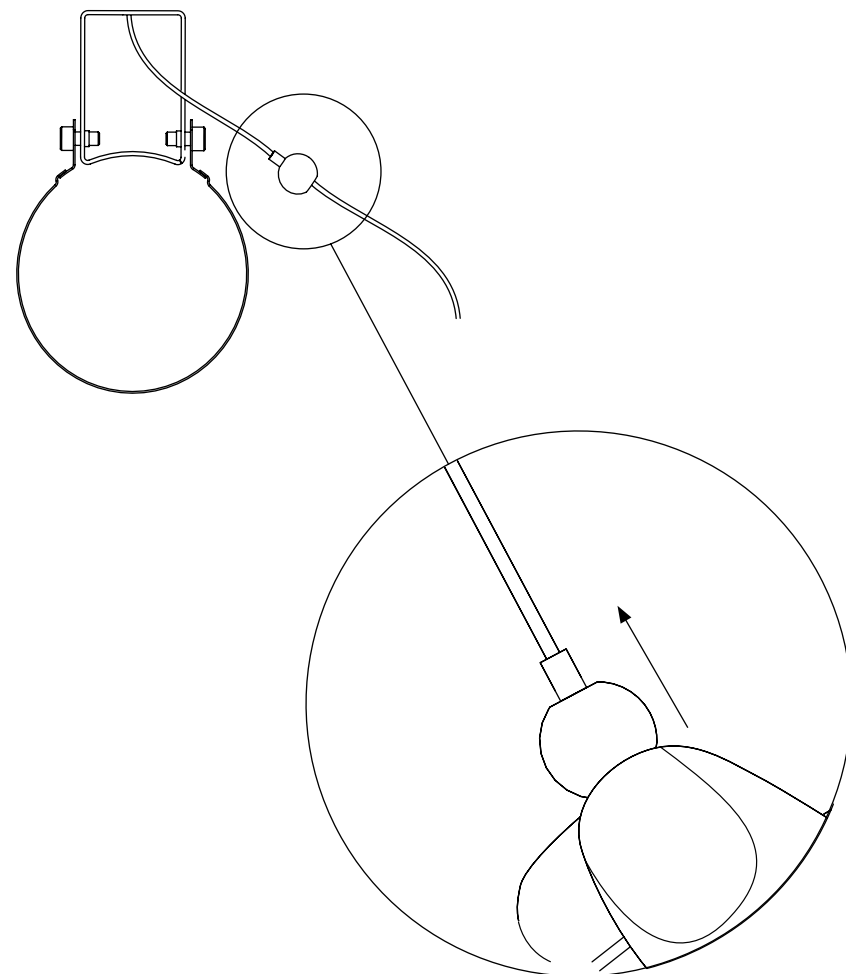
STEP 5

Place and lock the lamp into the collar



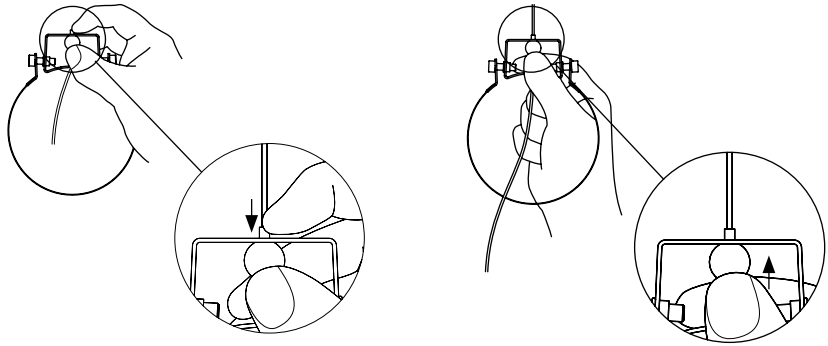
STEP 6

Insert the steel cable through the collar



STEP 7

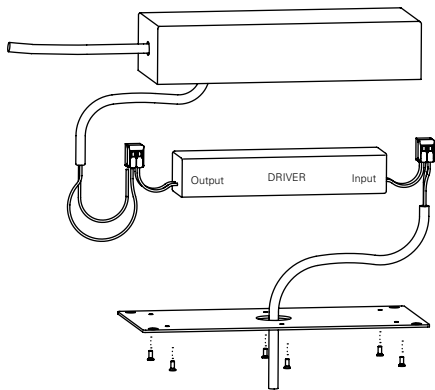
Adjust the height



Press the spigot to down the lamp

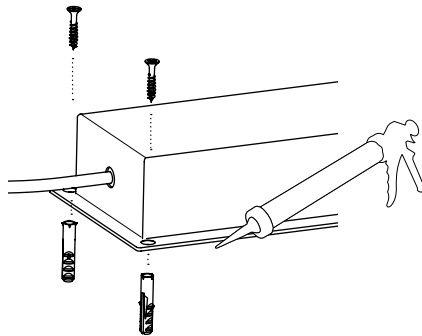
STEP 8

Connect the driver INPUT to the high voltage power supply. Then close the driver box.



STEP 9

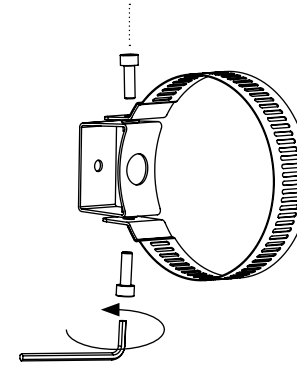
Mount the box on the wall or the ceiling and seal with silicone



AS A WALL LAMP

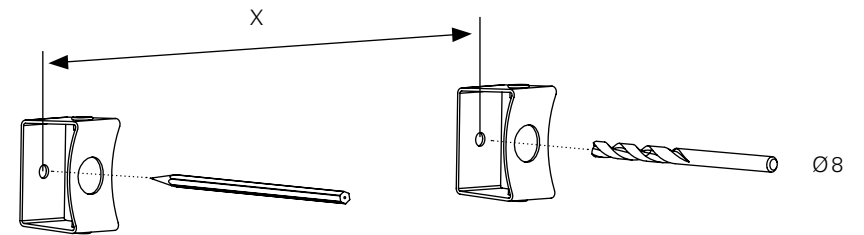
STEP 1

Unscrew the collar



STEP 2

Make holes according to the measurement between the two holes

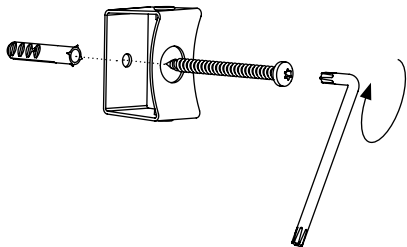


IN THE TUBE 360°

- ITT 360-400 X = 37 CM
- ITT 360-700 X = 67 CM
- ITT 360-1000 X = 97 CM
- ITT 360-1600 X = 157 CM

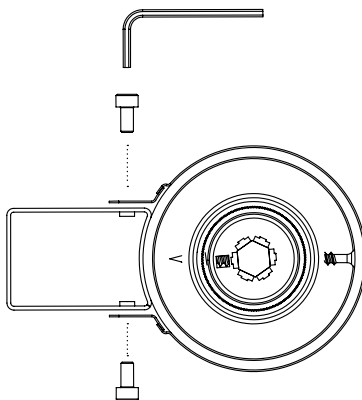
STEP 3

Fix the wall mounts



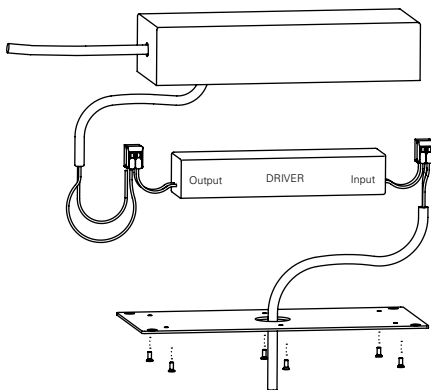
STEP 4

Place and lock the lamp into the collar



STEP 5

Connect the driver INPUT to the power supply and the driver OUTPUT to the light cable. Then close the driver box.



STEP 6

Mount the box on the wall or the ceiling and seal with silicone

